



# ActiLume DALI - a simple approach

## ActiLume DALI

The Philips ActiLume DALI lighting control system consists of a small, lightweight sensor and controller, designed for easy integration into luminaires. ActiLume is a true Plug and Play solution for open plan or cell offices. It is used in a master/slave luminaire concept, easy to use and easy to install. Application brochures are available to help specify and apply the system in an optimal way.

### Benefits

- A DALI based lighting control system designed for maximum comfort and energy savings up to 75% (in fully automatic mode and when used in combination with Philips HF-Regulator Touch and DALI ballasts)
- ActiLume is a Plug & Play system, no specific lighting control training is needed: The system is supported with simple, dedicated application and installation sheets
- The light sensor is sensitive for visible radiation (matching the human eye) providing automatic savings with daylight depending regulation, without any visible discomfort for the user
- The movement detector is very sensitive to human movements and contains a 15 minutes delay timer to provide optimal functionality whilst maximizing energy saving during absence
- Personal control solutions can be created by connecting a mains rated spring-back switch to the controller or by using an infrared remote control unit

# ActiLume DALI

## Features

- The ActiLume system consists out of three state-of-art miniature sensors combined with a controller containing a series of pre-programmed modes
- The two most applied modes, cell and open plan offices, can be selected via a single push on the service button
- ActiLume offers the possibility to select so called “comfort modes” in line with the EN 12464 indoor lighting norm. These modes can be recalled by using a simple mode selection tool IRT9090
- If needed, further customization can easily be established by changing the factory settings with the mode selection tool IRT9090
- The ActiLume controller contains two DALI outputs. These outputs are pre-programmed (factory setting) as a window and corridor row with a fixed light offset
- ActiLume Dali can control up to 11 ballasts
- The system can be extended with 1 or 2 additional movement detectors, LRM8118 and/or LRM8119 to maximize movement coverage. This respectively reduces the number of ballasts per controller to 10 or 9
- Factory light level setting is at 600 lux at a reflection factor of 0.3

## Application

- Typical office applications, as open-plan and cell offices
- Other applications like lobbies, corridors and small meeting rooms
- Offers specific comfort modes, for example for schools, light-lines and direct/indirect lighting concepts
- Optimized for ceiling heights of between 2.5 to 4 meters

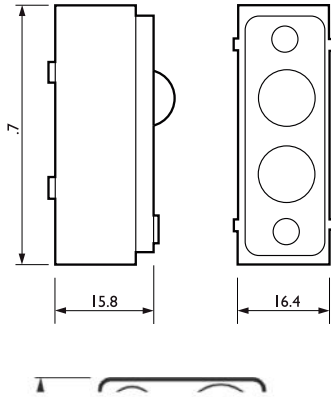
## Versions



LR11663/00 ActiLume gen2 Multi-Sensor

# ActiLume DALI

## Dimensional drawing



### Product

LRI1663/00 ActiLume gen2 Multi-Sensor

### Product

LRI1667/05 ActiLume G2 Indus Sensor H513

## Product details



GPDP\_LLBSACTi\_0003-Detail  
photo

